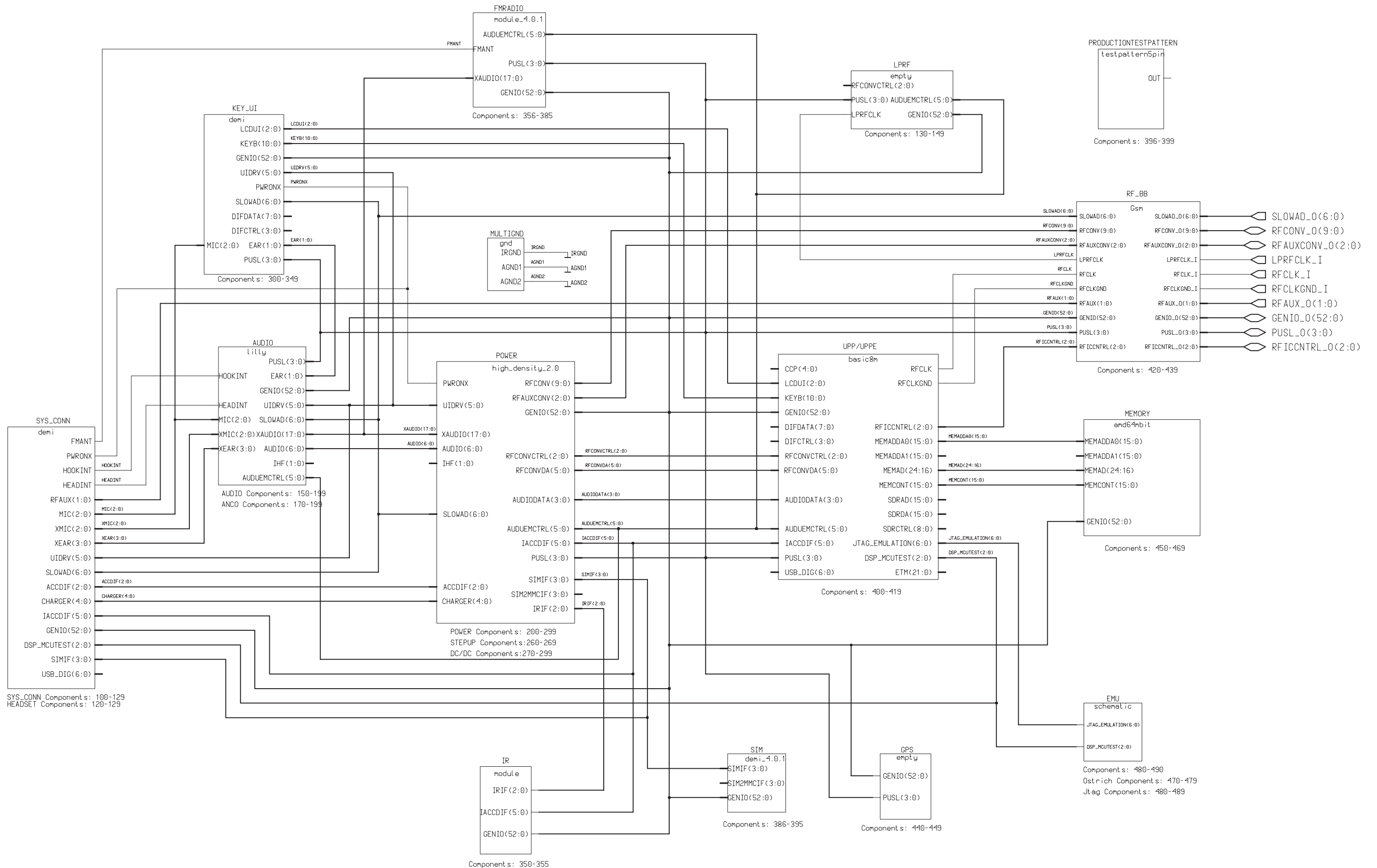
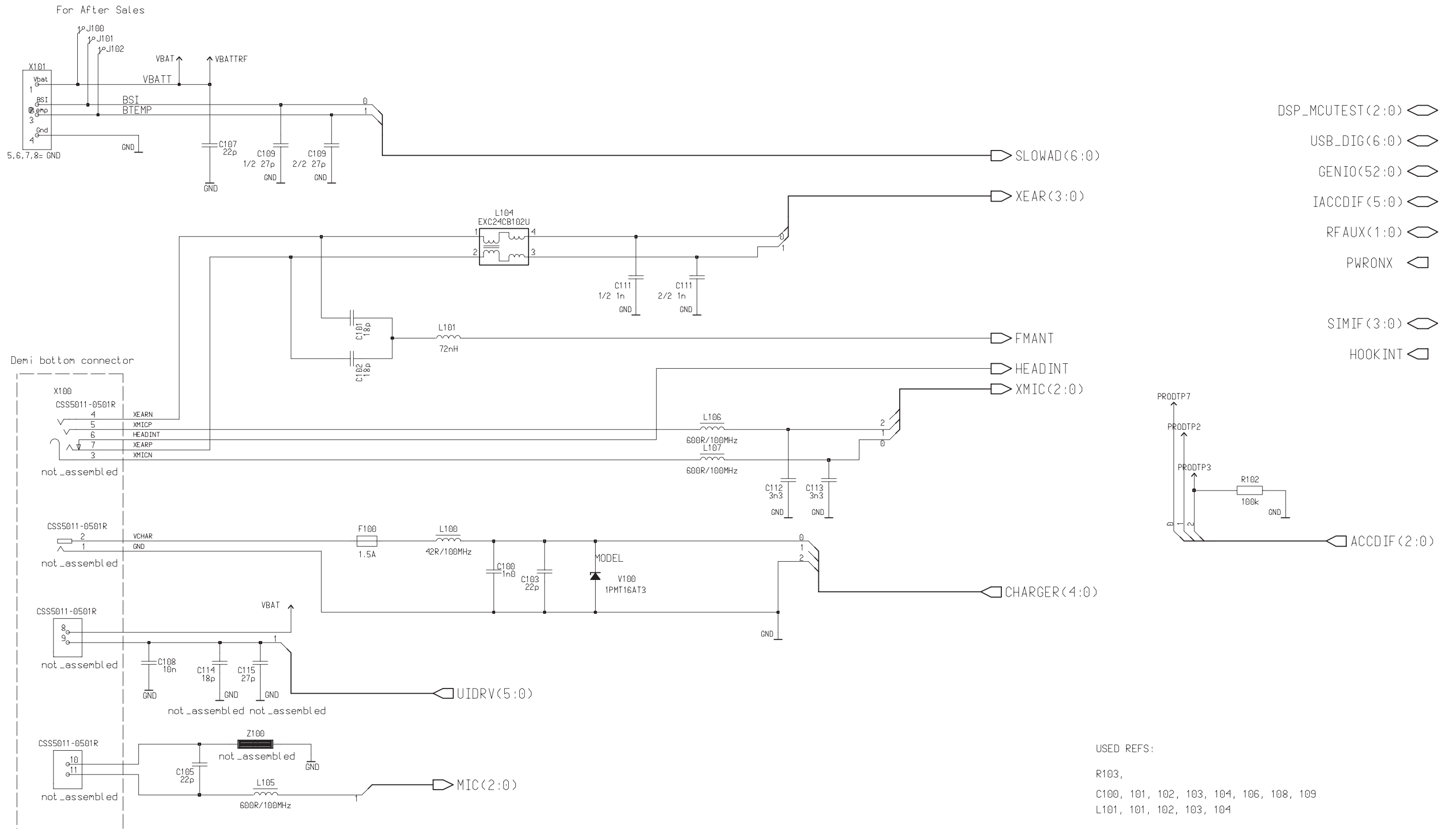


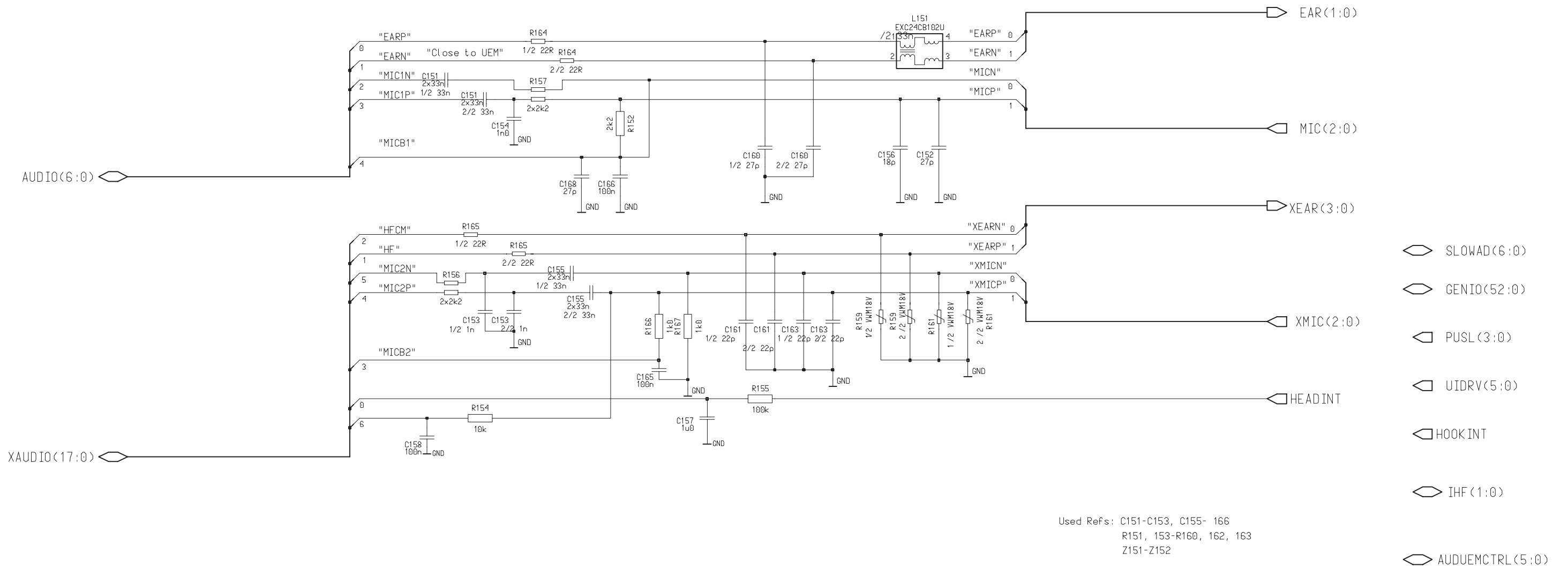
**BB Connections** (Version 0.0 Edit 96) for layout version 15



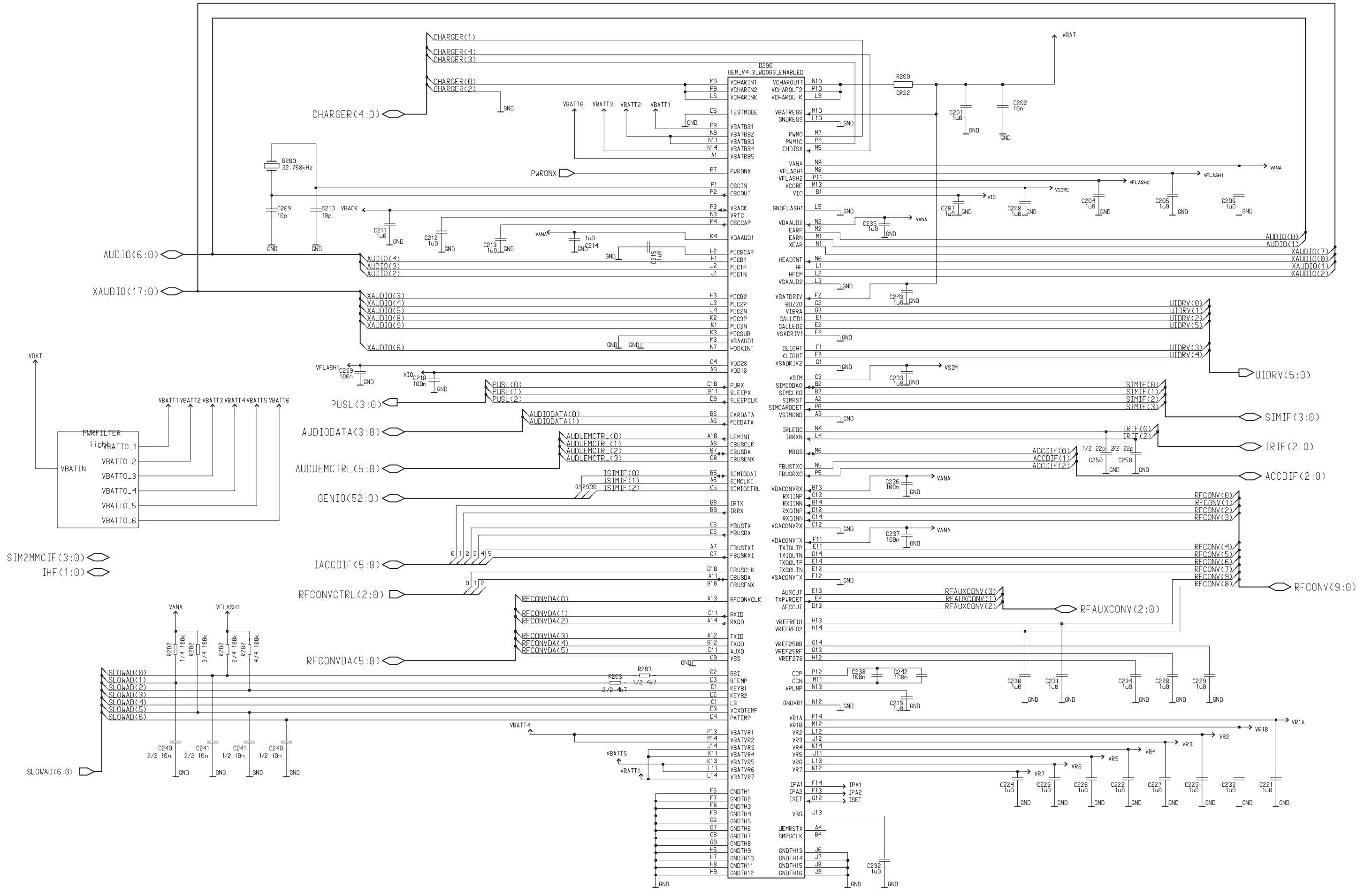
**System Connector** (Version 1.3 Edit 156) for layout version 15



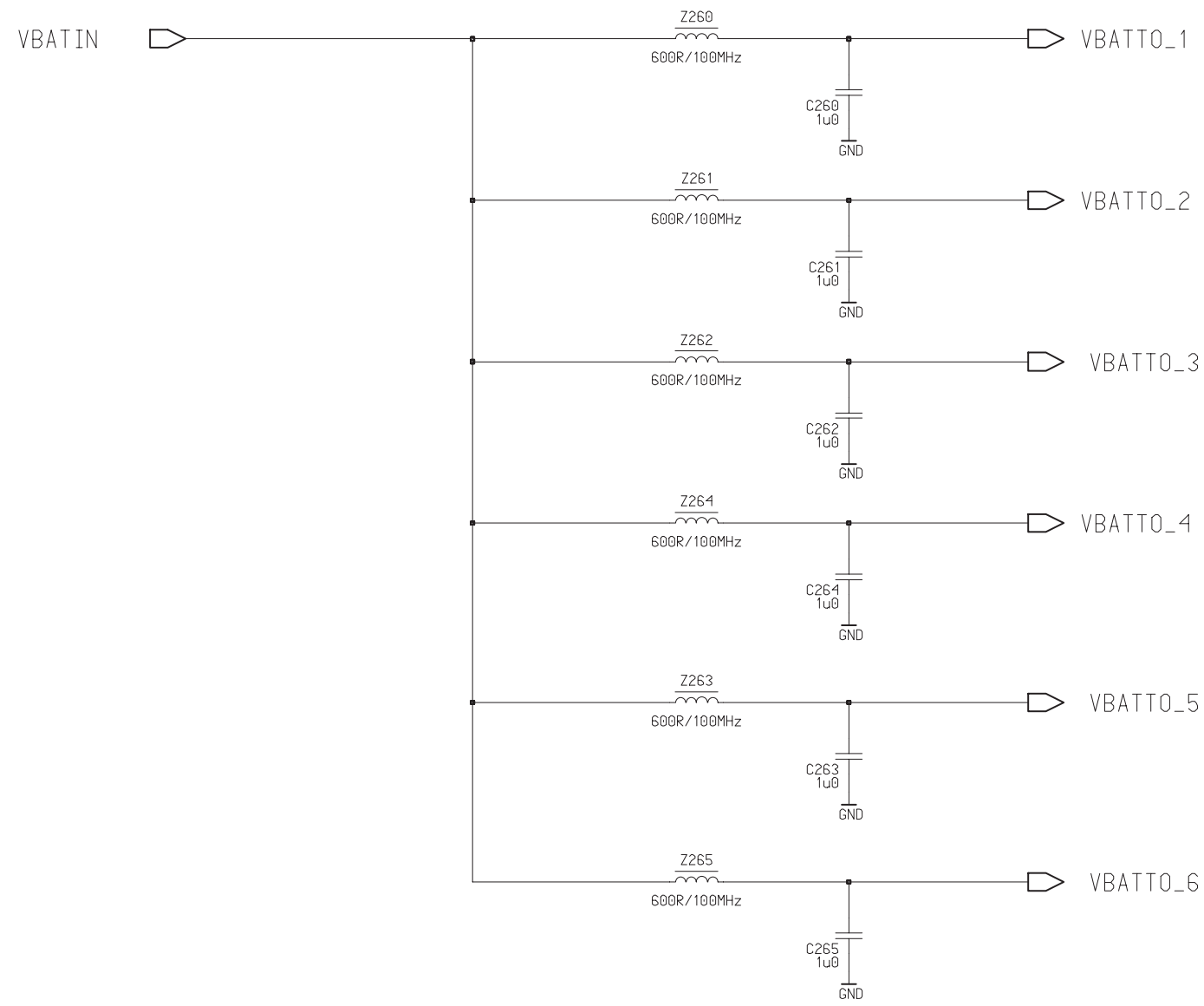
**Audio Interface** (Version 1.3 Edit 15) for layout version 15



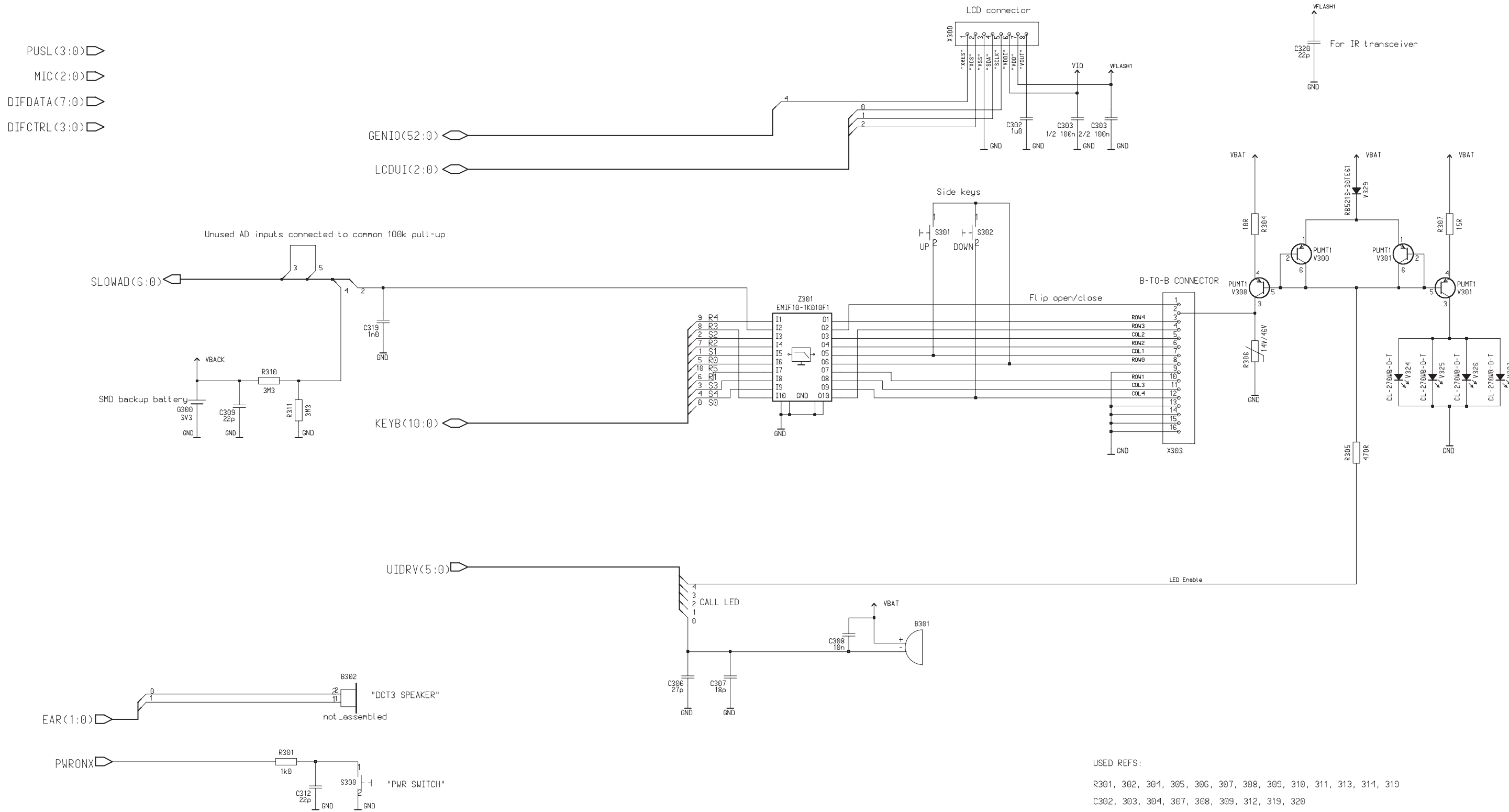
UEM of BB (Version 2.0 Edit 164) for layout version 15



**Light Filtering** (Version 2.0 Edit 34) for layout version 15



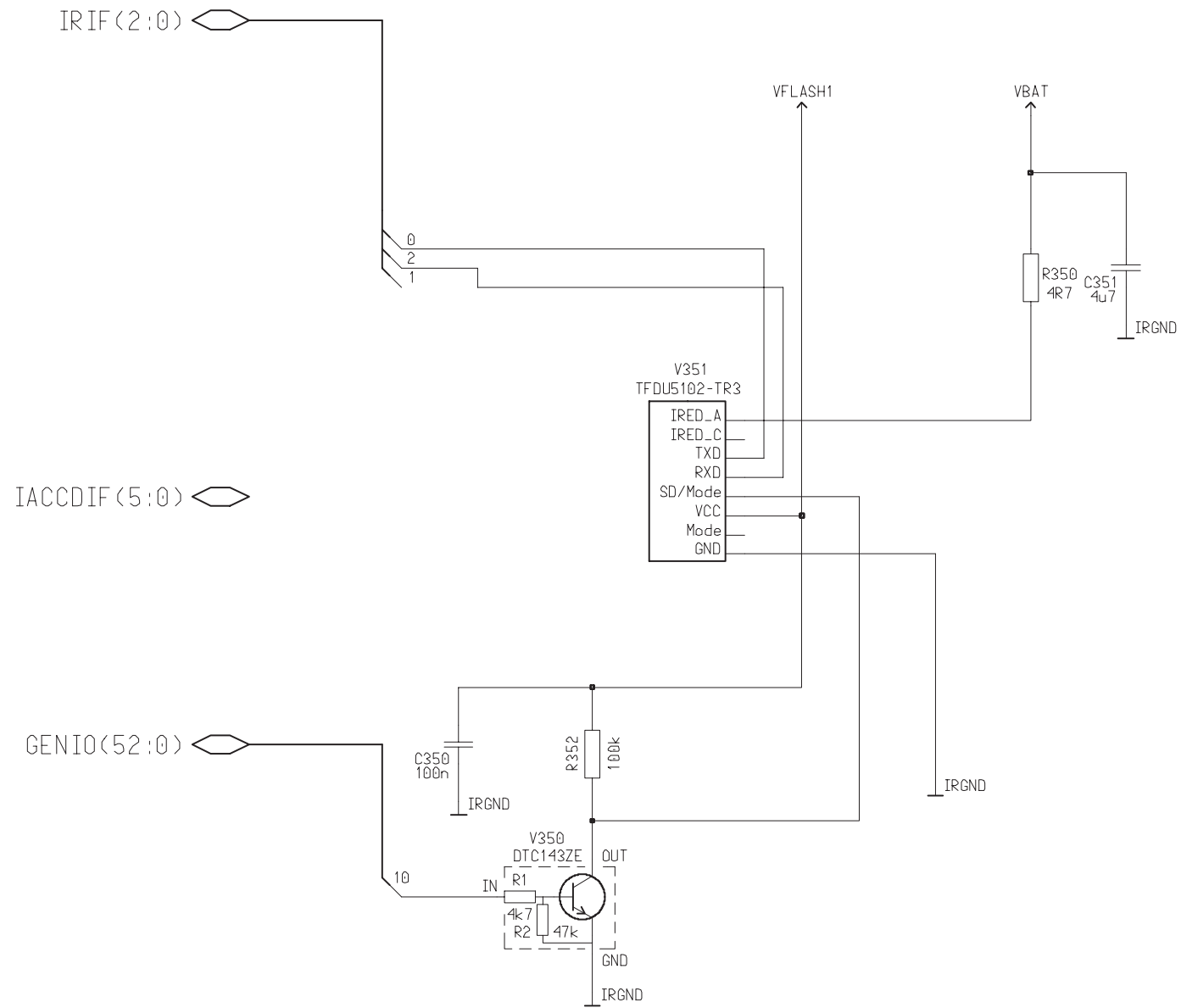
**Display and Keyboard Interface** (Version 1.3 Edit 201) for layout version 15



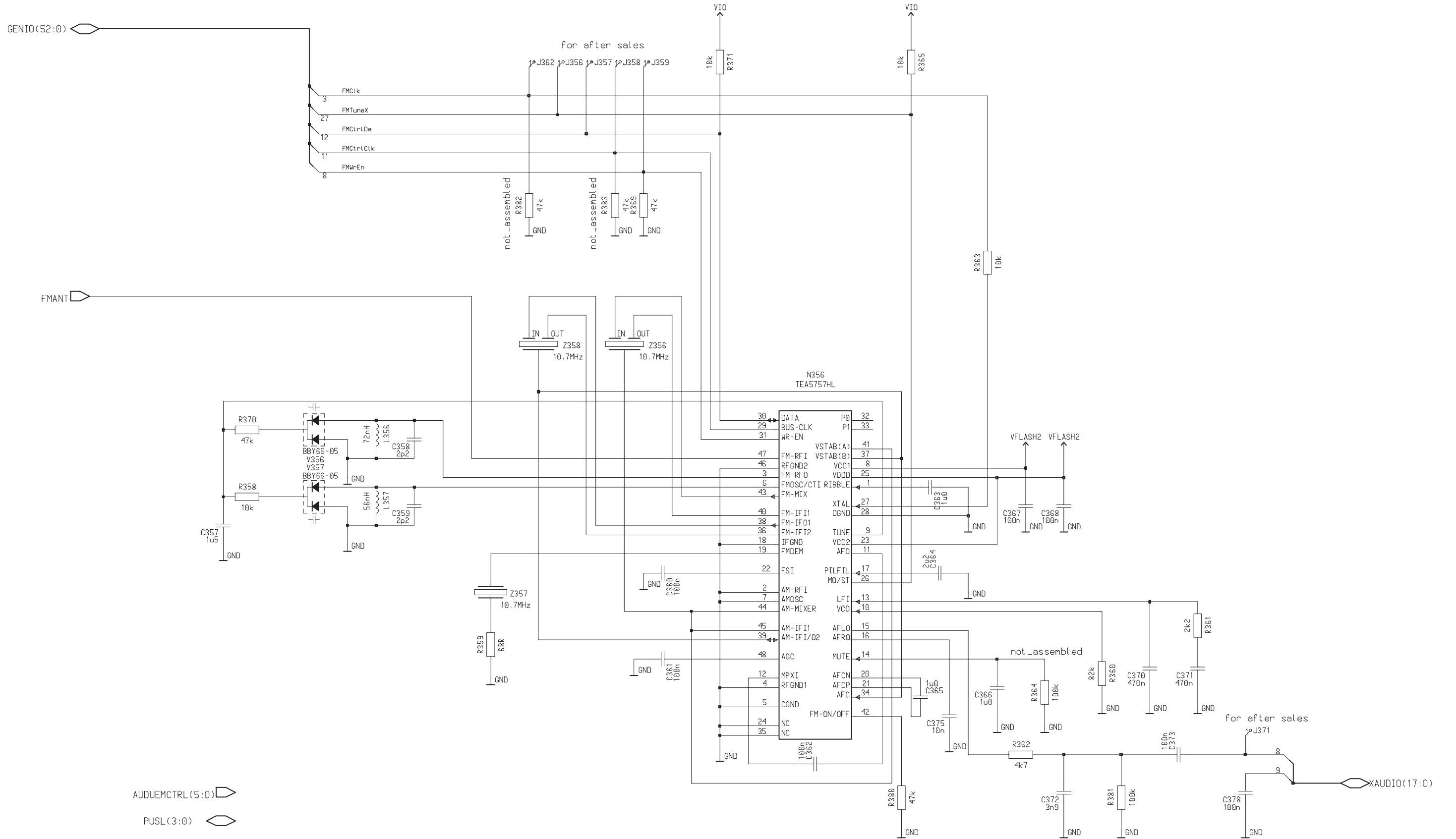
USED REFS:  
R301, 302, 304, 305, 306, 307, 308, 309, 310, 311, 313, 314, 319  
C302, 303, 304, 307, 308, 309, 312, 319, 320



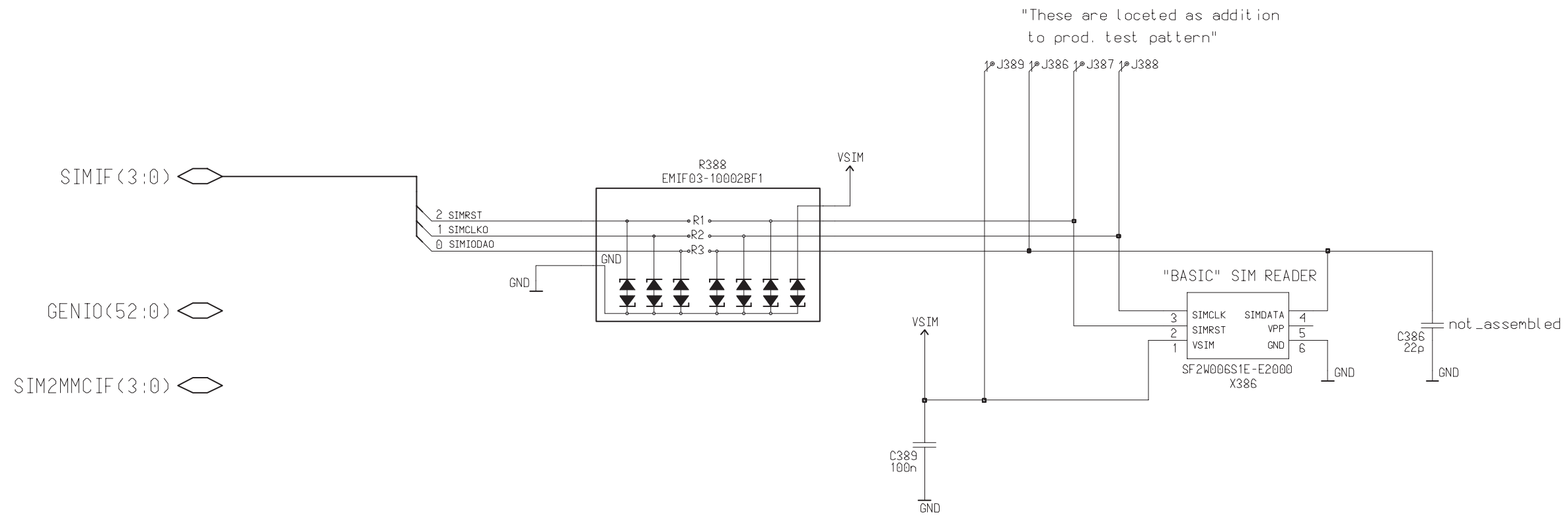
Infrared Module (Version 2.0 Edit 37) for layout version 15



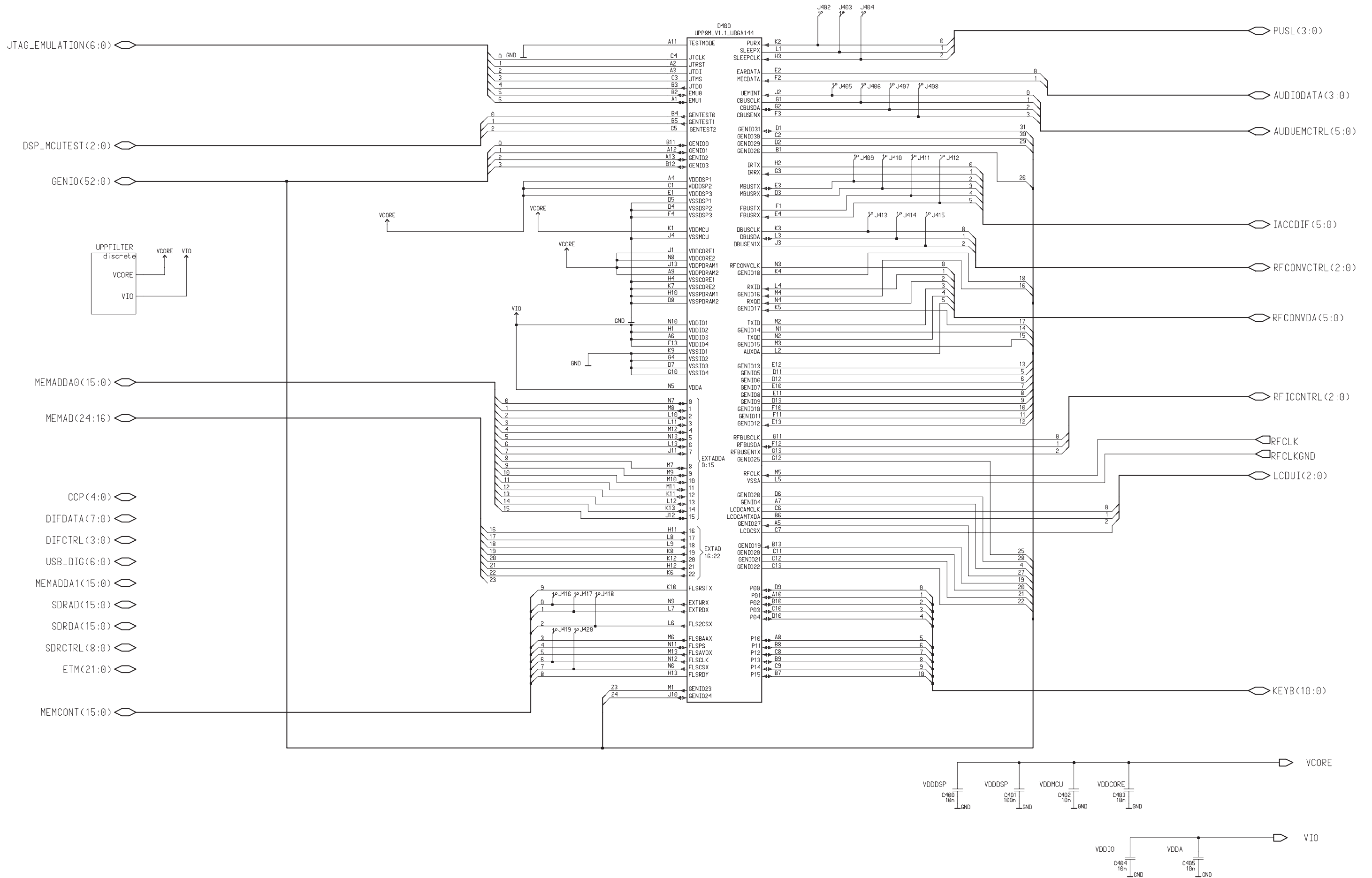
**FM Radio** (Version 1.3 Edit 104) for layout version 15

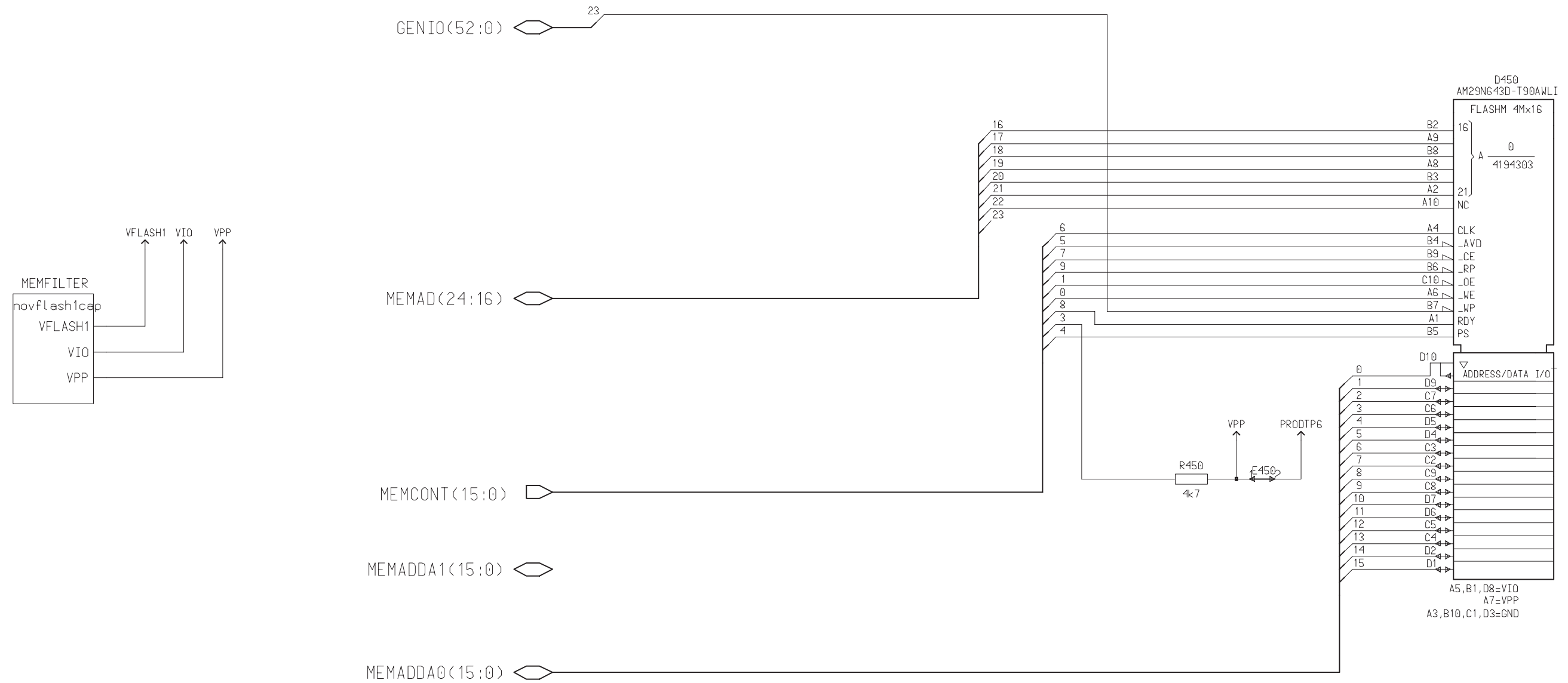


**SIM Reader** (Version 4.0.1 Edit 49) for layout version 15

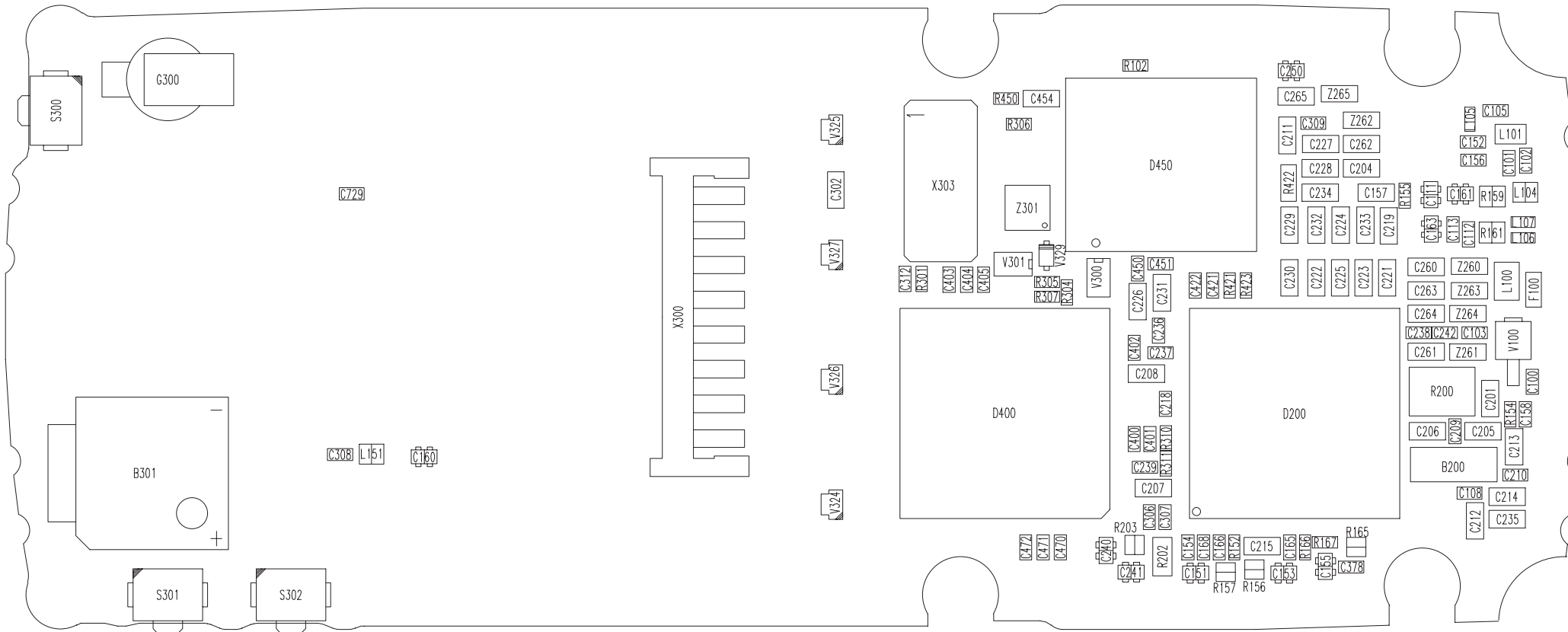


**UPP and decoupling capacitors** (Version 2.0 Edit 89) for layout version 15

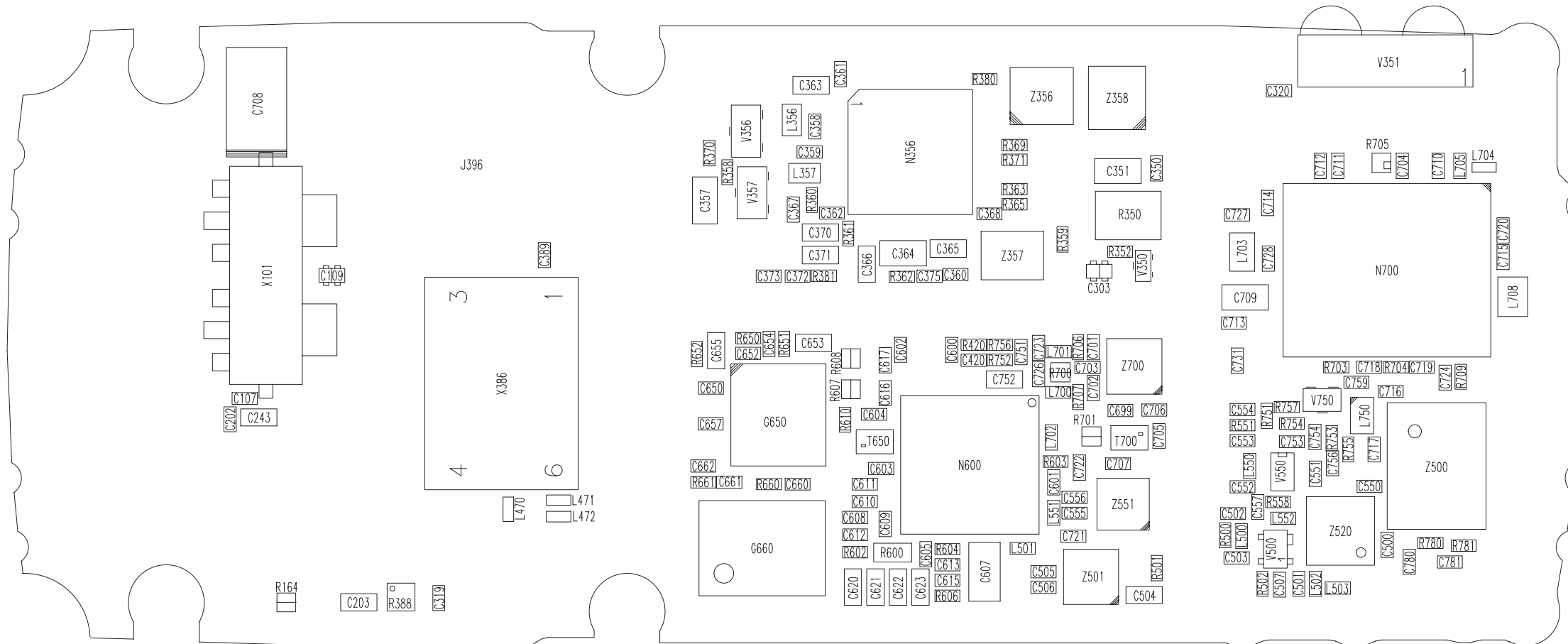




**Layout Diagram of LA5 – Top** (Version 15)

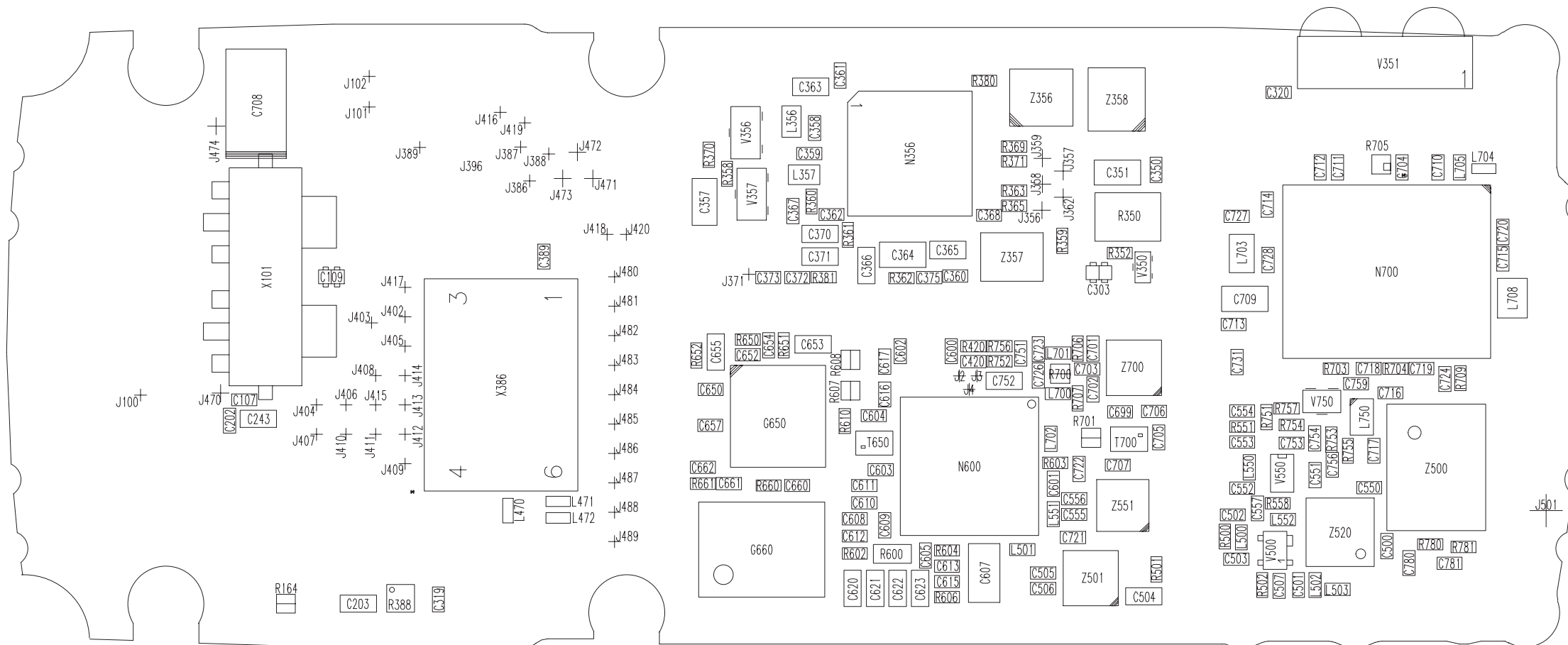


**Layout Diagram of LA5 – Bottom** (Version 15)

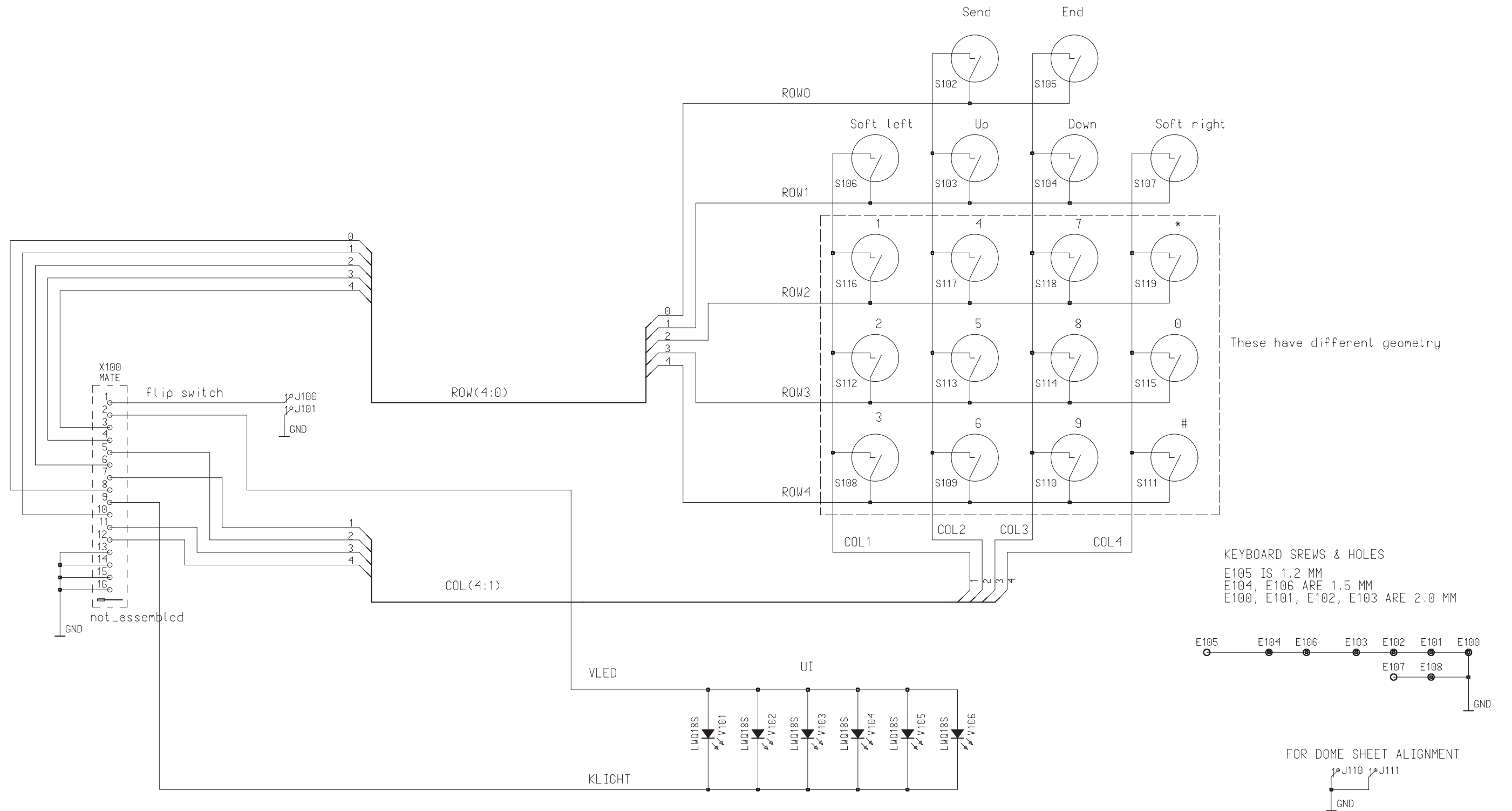


Testpoints of LA5 – Top (Version 15)

Testpoints of LA5 – Bottom (Version 15)



**UI Board – LK5** for version 11





**Layout Diagram – LK5** for version 11

